



EOS M 300 Series Digital Additive Manufacturing for the Industrial Production of High-Quality Metal Parts

- reliable and repeatable quality
- up to 10x higher productivity
- easily integrated in production



EOS M 300 Series Enables DMLS quality with up to 10x higher productivity

Designed for industrial applications, the EOS M 300 Series offers multiple configuration options combined with safety and security features enabling digital Additive Manufacturing. The platform offers the flexibility to choose the degree of automation that best suits your needs for an optimized workflow as well as the option to easily ramp-up as demand increases.



Exposure Module



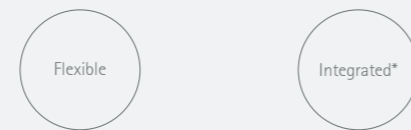
Up to four precise lasers expose in a 300 x 300 mm square with each laser covering the entire area.

Clamping Modules



Easy transition to post-processing Select from 3 different models for easy integration to the post-processing equipment in your production facility.

Dispenser Modules



Flexible Dispenser
Offers fast and easy material change.

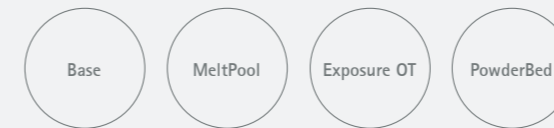
Integrated Dispenser
Automated feeding enabling closed loop powder supply.

Material & Process



EOS Materials are designed specifically for DMLS and are quality controlled.
EOS Processes are validated ensuring consistent and repeatable part quality.

EOSTATE Monitoring Suite



AM industry standard for real-time and post built quality assurance, creating valuable insights for application and process development.

Part Handling



EOS Transfer Station M
Fast switch-over of the exchangeable frame.

IPM M Setup Station M
Comfortable gas-tight unpacking from two sides and under inert gas.

Unpack Module*
Automated unpacking integrable easily in the IPM M Setup Station M.

Powder Handling



IPCM M extra
Manual and flexible powder handling.

IPCM M pro
Semi-automated powder handling.

IPM M Powder Station L
Automatic closed loop powder handling.

Software



EOSYSTEM
Intuitive industry proven machine software optimized for production.

EOSPRINT 2
Intuitive and easy job preparation and process development.

EOSCONNECT
Easy software integration into a production facility.

● mandatory configuration *under development

EOS M 300-4

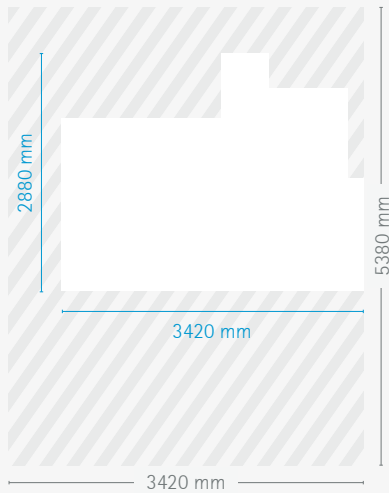
Technical Data

Building volume	300 x 300 x 400 mm (11.8 x 11.8 x 15.8 in)
Laser type	Yb-fiber laser; 4 x 400 W
Precision optics	4 F-theta-lenses; 4 high-speed scanners
Scanning speed	up to 7.0 m/s (23 ft./sec)
Focus diameter	approx. 100 µm (0.004 in)
Power supply	3 x 80 A
Power consumption	max. 36 kW / typical 26 kW
Inert gas supply	7,000 hPa; 15 m ³ /h (102 psi; 530 ft ³ /h)

Dimensions & Weight

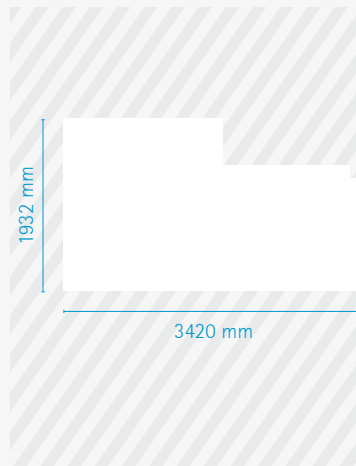
EOS M 300-4 with Flex Dispenser

Height: 2,340 mm / Weight: ca. 6,600 kg



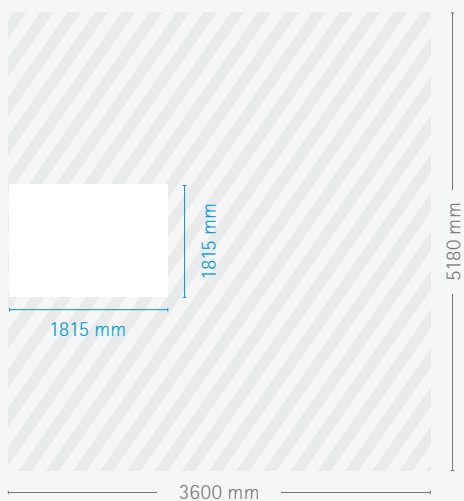
EOS M 300-4 with Integrated Dispenser

in development



EOS Transfer Station M

Height: 1,300 mm / Weight: ca. 1,000 kg

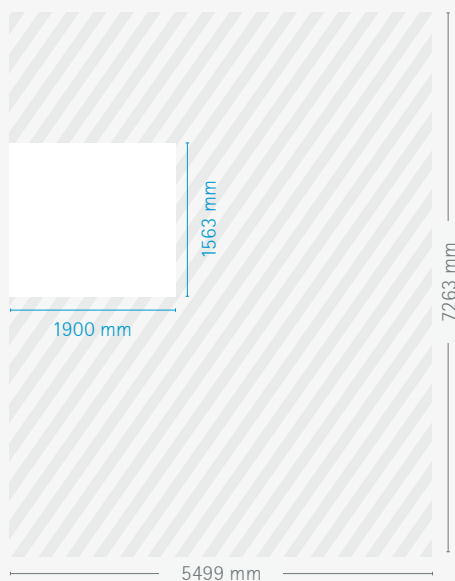


System

Workspace

IPM M Setup Station M

Height: 2,000 mm / Weight: ca. 1,400 kg



Headquarters

EOS GmbH
Electro Optical Systems
Robert-Stirling-Ring 1
D-82152 Krailling/Munich
Germany
Phone +49 89 893 36-0
Fax +49 89 893 36-285

www.eos.info
info@eos.info

Further EOS Offices

EOS France
Phone +33 437 49 76 76

EOS Greater China
Phone +86 21 602307 00

EOS India
Phone +91 44 39 64 80 00

EOS Italy
Phone +39 02 33 40 16 59

EOS Japan
Phone +81 45 670 0250

EOS Korea
Phone +82 2 6330 5800

EOS Nordic & Baltic
Phone +46 31 760 46 40

EOS of North America
Phone +1 248 306 01 43

EOS Singapore
Phone +65 6430 0463

EOS UK
Phone +44 1926 675 110